

# DV90

## Dual View Trucks



**WACKER  
NEUSON**  
*all it takes!*



### Redefined safety: Everything in sight

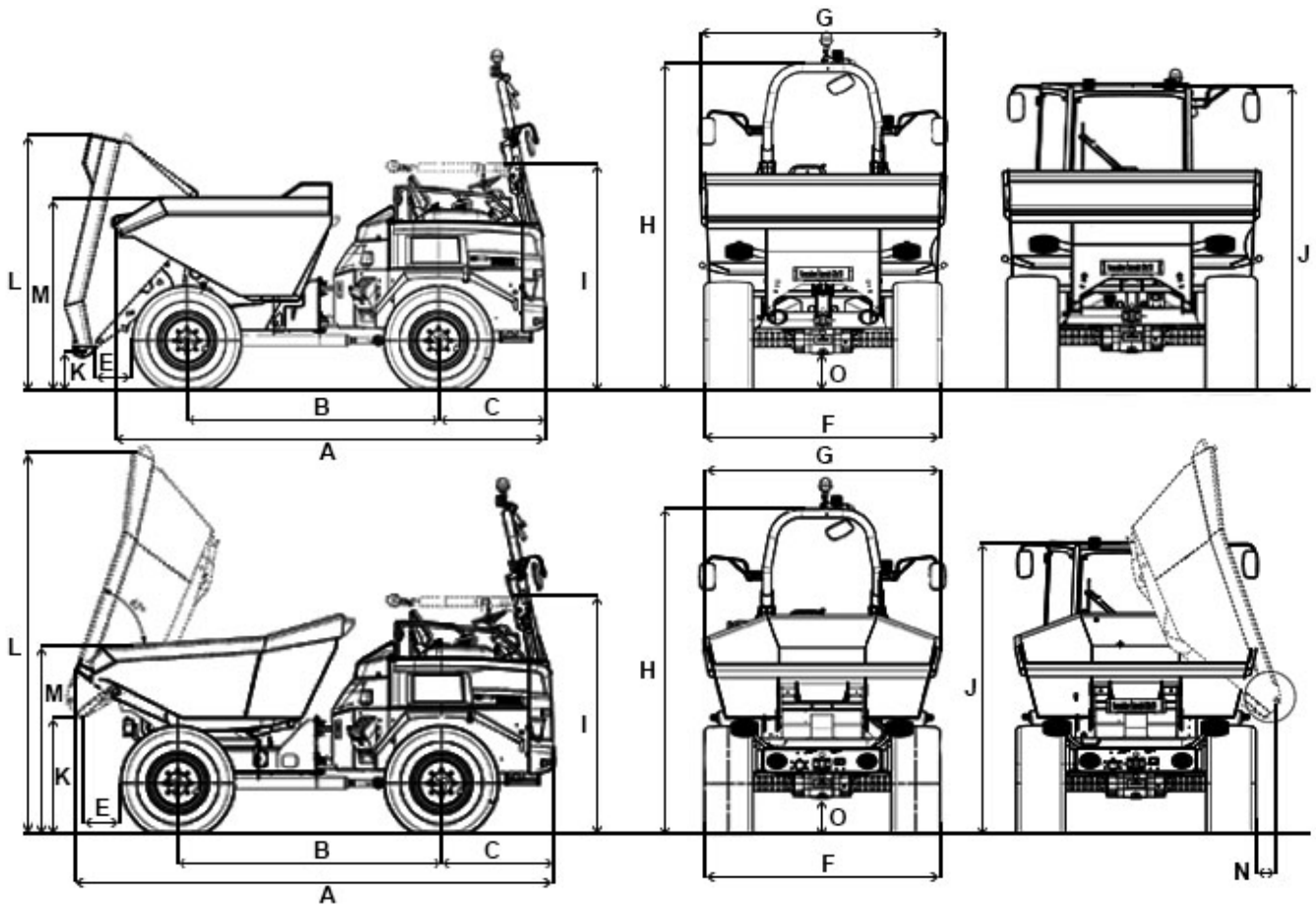
The DV90 Dual View sets new standards in terms of operator and construction site safety, flexibility and economic efficiency. The dual view concept allows a comfortable and quick change of the seat position through a 180° turn of the entire operating and seat console. In this way, the operator always has perfect vision in the direction of travel - during transportation, loading and unloading. The rotation can be performed conveniently from the driver's seat by simply unlocking the seat console and turning it around.

- High driving position, high working position
- Optimal view for more safety
- Hydrostatic drive
- More ease of use thanks to the ergonomic rotary console
- Comfort cabin

## DV90 Technical specifications

|                                 | Front tip skip                       | Swivel tip skip                      |
|---------------------------------|--------------------------------------|--------------------------------------|
| <b>Operating data</b>           |                                      |                                      |
| Payload kg                      | 9,000                                | 9,000                                |
| Shipping weight kg              | 4,545                                | 4,925                                |
| Shipping weight kg              | 4,545 - 4,870                        | 4,925 - 5,250                        |
| Operating weight kg             | 4,691 - 5,016                        | 5,071 - 5,396                        |
| Skip capacity - stroke l        | 3,750                                | 3,300                                |
| Skip capacity - heaped l        | 4,600                                | 4,350                                |
| Skip capacity - water measure l | 2,400                                | 2,050                                |
| <b>Engine / Motor</b>           |                                      |                                      |
| Engine / Motor manufacturer     | DEUTZ                                | DEUTZ                                |
| Engine / Motor type             | TD2.9 L4                             | TD2.9 L4                             |
| Engine / Motor                  | water-cooled 4-cylinder turbo-diesel | water-cooled 4-cylinder turbo-diesel |
| Engine performance kW           | 55.4                                 | 55.4                                 |
| Displacement cm <sup>3</sup>    | 2,900                                | 2,900                                |
| Engine RPM rpm                  | 2200                                 | 2200                                 |
| Emissions                       | level 3b / Tier IV final             | level 3b / Tier IV final             |
| Traction drive                  | 4WD / hydrostatic                    | 4WD / hydrostatic                    |
| Travel speed max. km/h          | 30                                   | 30                                   |
| Articulation angle °            | 28.3                                 | 29                                   |
| Pendulum angle °                | 11                                   | 11                                   |
| Turning radius mm               | 6,760                                | 6,491                                |
| Gradeability %                  | 50                                   | 50                                   |
| Tires                           | 500/60-22.5                          | 500/60-22.5                          |
| L x W x H mm                    | 4,622 / 2,420 / 3,382                | 4,622 / 2,420 / 3,382                |
| Steering pump                   | axial piston pump                    | axial piston pump                    |
| Flow rate l/min                 | 123                                  | 123                                  |
| Operating pressure bar          | 480                                  | 480                                  |
| Duty pump                       | gear pump                            | gear pump                            |
| Flow rate l/min                 | 70.2                                 | 70.2                                 |
| Operating pressure bar          | 240                                  | 240                                  |
| Tank capacity l                 | 80                                   | 80                                   |
| Sound level (LwA) dB(A)         | 101                                  | 101                                  |

## DV90 Dimensions



|   |                              | Front tip skip | Swivel tip skip |
|---|------------------------------|----------------|-----------------|
| A | Overall length ROPS          | 4,622 mm       | 4,891 mm        |
| A | Overall length Cabin         | 4,622 mm       | 4,891 mm        |
| B | Wheelbase                    | 2,700 mm       | 2,700 mm        |
| C | Rear overhang                | 1,157 mm       | 1,157 mm        |
| E | Dumping distance             | 520 mm         | 457 mm          |
| F | Width                        | 2,420 mm       | 2,420 mm        |
| G | Skip width                   | 2,497 mm       | 2,453 mm        |
| H | Height ROPS                  | 3,382 mm       | 3,382 mm        |
| I | Height ROPS tilted           | 2,405 mm       | 2,405 mm        |
| J | Height Cabin                 | 2,945 mm       | 2,945 mm        |
| K | Dump height max.             | 357 mm         | 1,220 mm        |
| L | Skip height tilted           | 2,723 mm       | 3,980 mm        |
| M | Skip height not tilted       | 1,971 mm       | 2,230 mm        |
| N | Dumping distance to the side |                | 152 mm          |
| O | Ground clearance             | 357 mm         | 358 mm          |
| - | Dump angle                   | 48 °           | 40.1 °          |

Please note: that product availability can vary from country to country. It is possible that information / products may not be available in your country. More detailed information on engine power can be found in the operator's manual; the stated power may vary due to specific operating conditions. Subject to alterations and errors excepted. Applicable also to illustrations.  
Copyright © 2020 Wacker Neuson SE.